

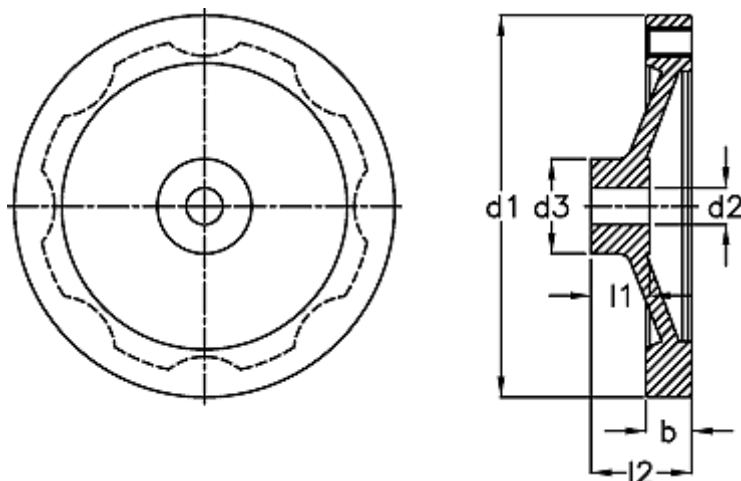
Data Sheet



Article number: 20378299

Description: E+G Handwheel
GN 323-125-K12-A

Measures



b = 15.0

d1 = 125

d2 H7 = 12

d3 = 31

l1 = 18

l2 = 33